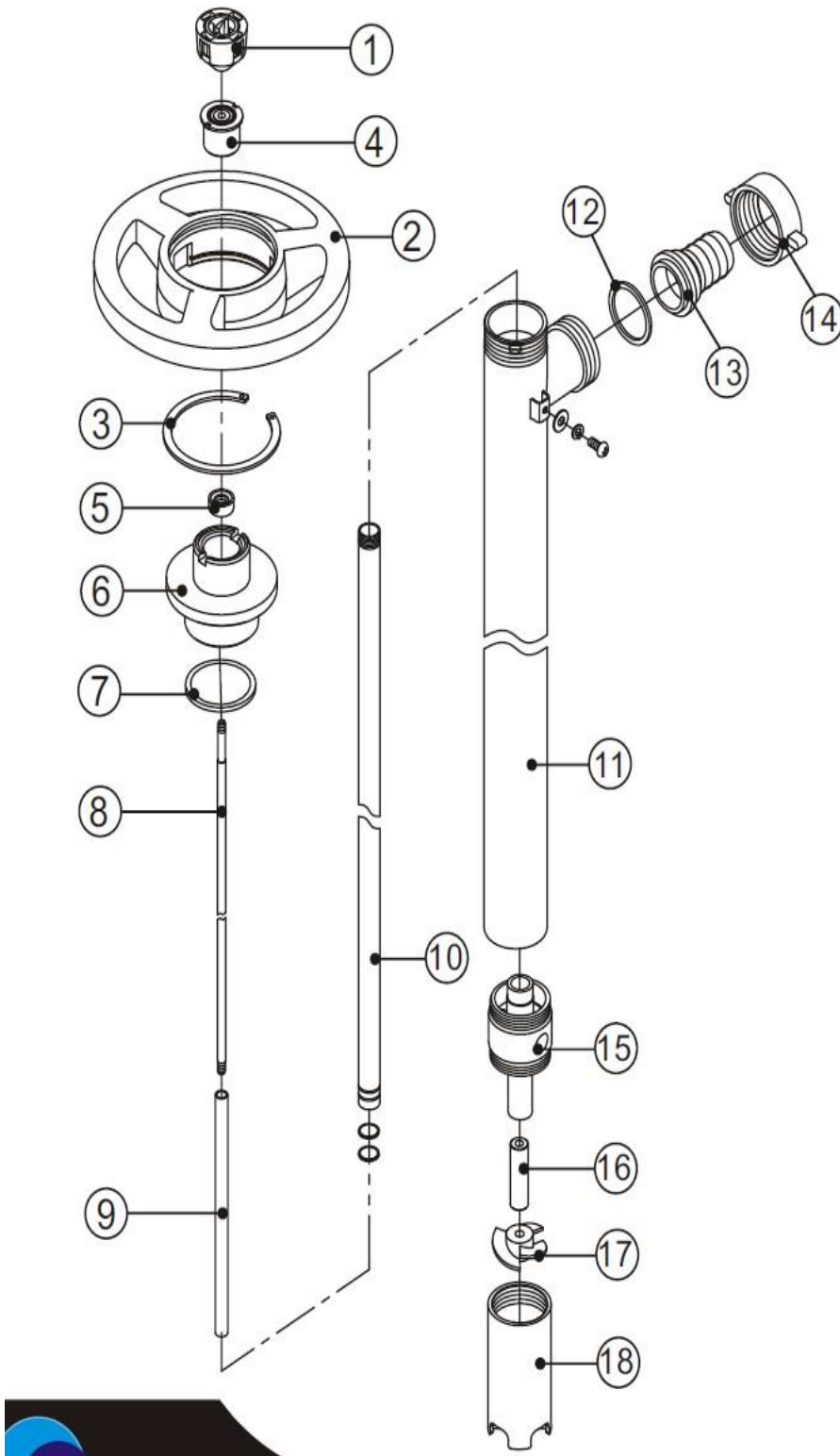


SS316 SPARE PART PRICE LIST

ITEM NO.	DESCRIPTION	PART NUMBER
1	Pump coupling 管連軸器	610.804
2	Hand wheel 手扶輪	618.842
3	Snap ring	615.808
4	Bearing unit assembled 培林組	610.838
5	V-Seal (Viton)VT 油封	640.800
6	Connection flange (SUS316)	620.800
7	Gasket (PTFE)	620.801
8	Shaft (SUS316)	700mm (27") 620.827 1000mm (39") 620.828 1200mm (47") 620.829 1500mm (60") 627.809 1800mm (72") 627.810
9	Guide sleeve (PTFE)	700mm (27") 620.831 1000mm (39") 627.815 1200mm (47") 820.832 1500mm (60") 827.811 1800mm (72") 627.812
10	Inner tube (SUS316)	700mm (27") 627.803 1000mm (39") 627.805 1200mm (47") 627.807 1500mm (60") 627.816 1800mm (72") 627.817
11	Outer tube (SUS316)	700mm (27") 627.800 1000mm (39") 627.801 1200mm (47") 627.802 1500mm (60") 627.813 1800mm (72") 827.814
12	O-ring (PTFE)	621.895
13	Hose barb, (SUS316)	1" (25 mm) 621.896 3/4" (19.05mm) 621.897 1 1/4" (31.75mm) 621.898
14	Wing nut (SUS316)	620.868
15	Pump housing (SUS316)	627.804
16	Shaft busing (Rulon)	616.806-R
17	Impeller (PVDF)葉輪片 High pressure impeller (PVDF)葉輪片(高揚程)	627.806 627.806HH
18	Pump foot (SUS316)	627.808

SS316 EXPLODED DRAWING



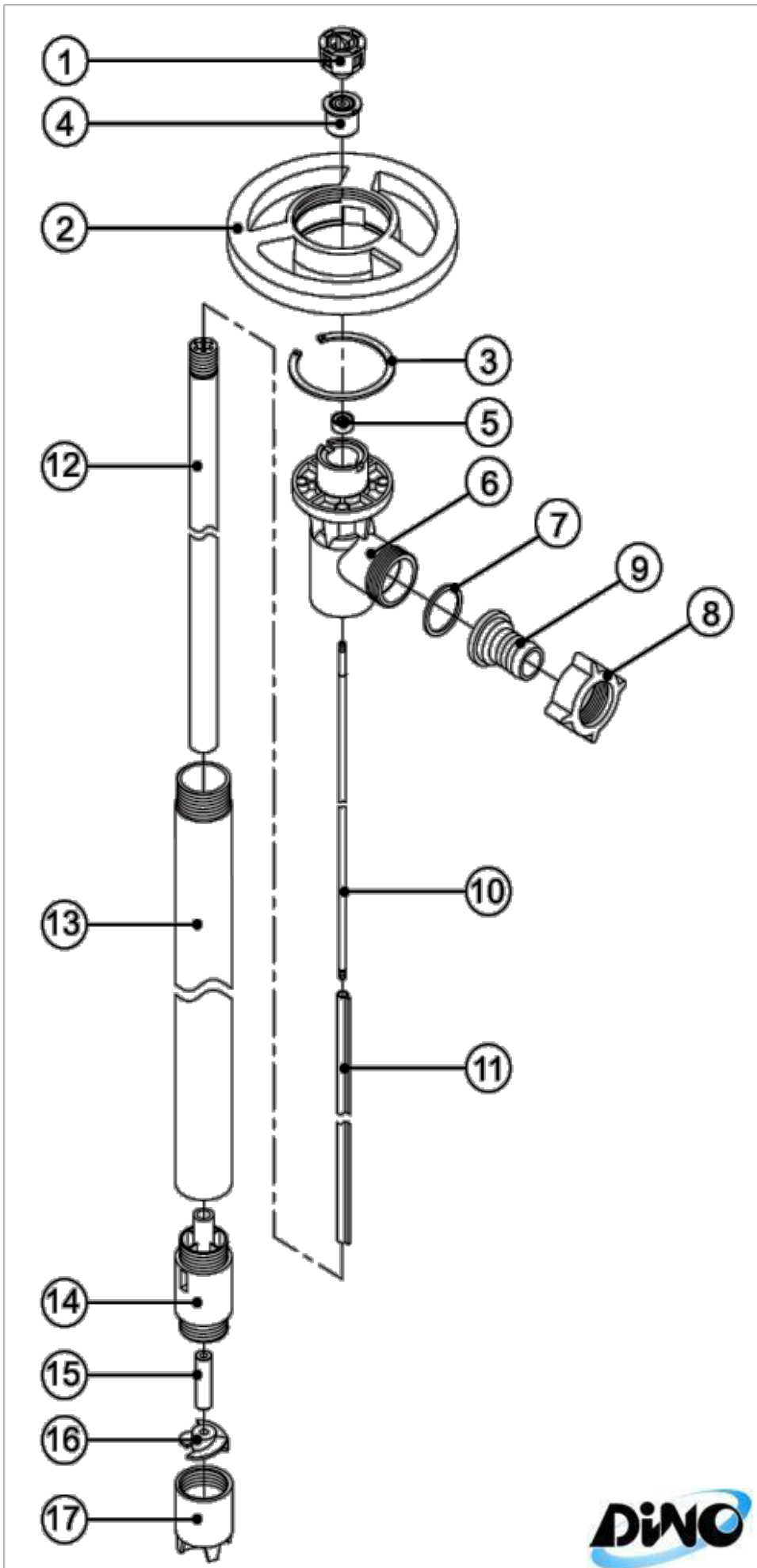
DINO TECHNOLOGY CO., LTD.

Представитель в России : ООО «Рутектор», г. Москве
+ 7 495 660-00-69 mailto:info@rutector.ru rutector.ru

PPHI SPARE PART PRICE LIST

ITEM NO	DESCRIPTION	PART NUMBER
1	Pump coupling	610.804
2	Hand wheel	618.842
3	Snap ring	615.808
4	Bearing unit assembled -	610.838
5	V-seal (Viton)	640.800
6	Discharge housing (PP)	660.828
7	O-Ring (PTFE)	621.895
8	Wing nut	661.806
9	Hose barb (PP)	3/4" (22 mm) 660.851 1" (25 mm) 660.882 1 1/4" (31.75mm) 660.883
10	Shaft (Hastelloy)	700mm (27") 615.843 1000mm (39") 615.844 1200mm (47") 615.845 1500mm (60") 615.846 1800mm (72") 615.847
11	Guide sleeve (PTFE)	700mm(27") 615.814 1000mm(39") 615.815 1200mm(47") 615.816 1500mm (60") 615.817 1800mm(72") 615.818
12	Inner tube (PP)	700mm (27") 666.800 1000mm (39") 666.801 1200mm (47") 666.802 1500mm (60") 666.815 1800mm (72") 666.816
13	Outer tube (PP)	700mm (27") 666.804 1000mm (39") 666.803 1200mm (47") 666.805 1500mm (60") 666.817 1800mm (72") 666.818
14	Pump housing (PP)	665.824
15	Shaft bushing (Rulon)	616.806-R
16	Impeller (PVDF)	646.808
	High pressure impeller (PVDF)	646.808HH
17	Pump foot (PP)	666.809

PPHT EXPLODED DRAWING



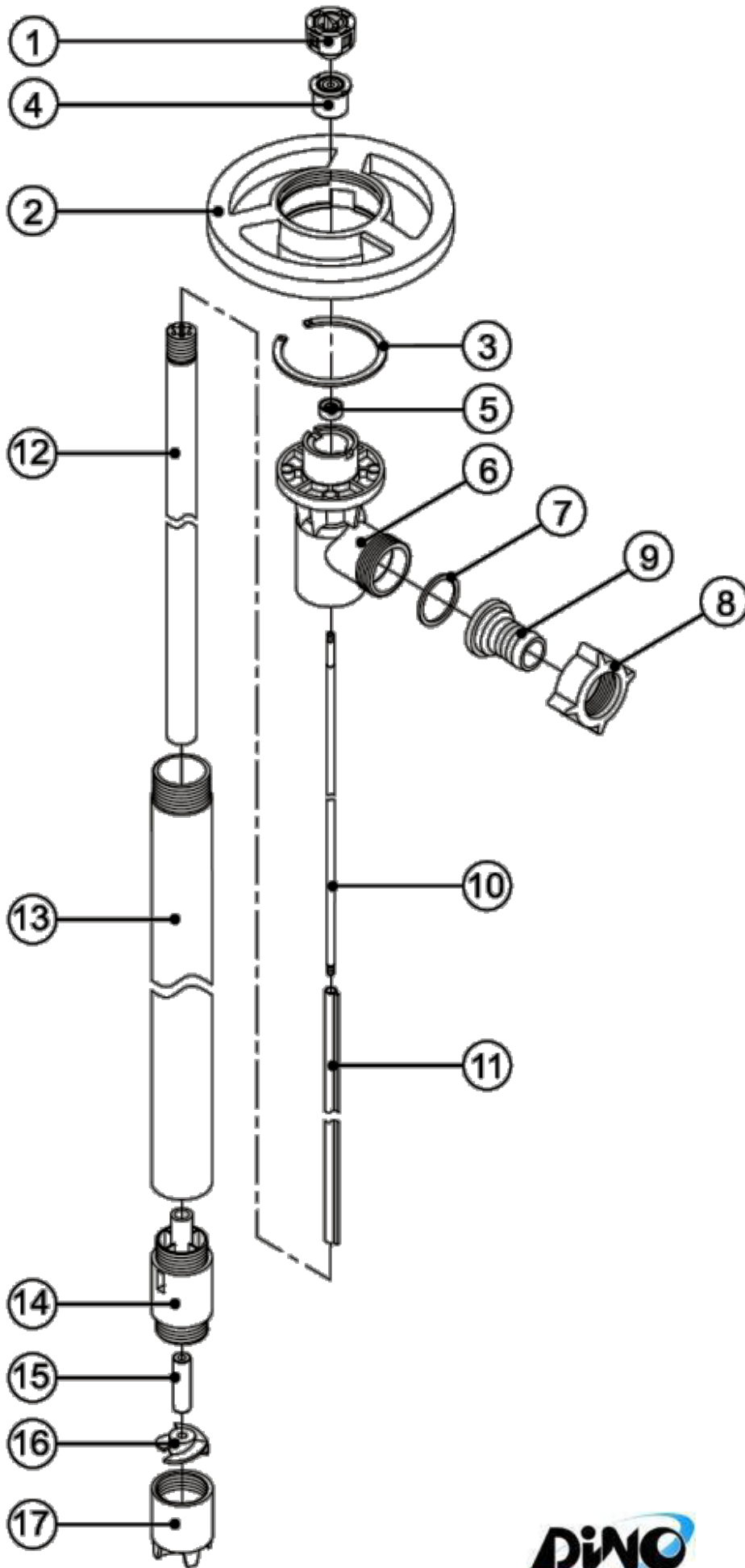
DINO TECHNOLOGY CO., LTD.

Представитель в России : ООО «Рутектор», г. Москве
+ 7 495 660-00-69 mailto:info@rutector.ru rutector.ru

PVDF SPARE PART PRICE LIST

ITEM NO		PART NUMBER
1	Pump coupling	610.804
2	Hand wheel	618.842
3	Snap ring	615.808
4	Bearing unit assembled - bearing x 2, spacer x1, snap ring x 2, bearing can x1	610.838
5	V-seal (Viton)	640.800
6	Discharge housing (PVDF)	640.728
7	O-RING (PTFE)	621.895
8	Wing nut (PVDF)	641.706
9	Hose barb,	3/4" (22mm), PTFE 640.752 1" (25 mm), PVDF 640.882 1 1/4" (31.75mm), PTFE 640.753
10	Shaft(Hastelloy)	700mm (27") 615.843 1000mm (39") 615.844 1200mm (47") 615.845 1500mm (60") 615.846 1800mm (72") 615.847
11	Guide sleeve (PTFE)	700mm(27") 615.814 1000mm(39") 615.815 1200mm(47") 615.816 1500mm (60") 615.817 1800mm(72") 615.818
12	Inner tube (PVDF)	700mm (27") 646.800 1000mm (39") 646.801 1200mm (47") 646.802 1500mm (60") 646.811 1800mm (72") 646.812
13	Outer tube (PVDF)	700mm (27") 646.804 1000mm (39") 646.803 1200mm (47") 646.805 1500mm (60") 646.813 1800mm (72") 646.814
14	Pump housing (PVDF)	646.807
15	Shaft bushing (Rulon)	616.806-R
16	Impeller (PVDF) High pressure impeller (PVDF)	646.808 646.808HH
17	Pump foot (PVDF)	646.809

PVDF EXPLODED DRAWING



DINO TECHNOLOGY CO., LTD.

Представитель в России : ООО «Рутектор», г. Москве
+ 7 495 660-00-69 mailto:info@rutector.ru rutector.ru

選配零件

ITEM NO		PART NUMBER
strainer PVDF	過濾器	690-803
1" PFA hosepipe	3m 蛇管	700-105
wall bracket	壁架	690-806
NOZZLE PP	PP 噴嘴	9018
ADAPTOR, PP	桶槽接合器PP	690-801
ADAPTOR, SS	桶槽接合器SS	690-800

ITEM NO	DESCRIPTION	PART NUMBER	
1	Screw for plastic housing (8 required)	681-830	
2	Motor cover	680-800	
3	Carbon brush 110V/220V	685-809	
4	Brush holder	685-808	
5	Stator	110V	685-803
		220V	687-802
6	Ball bearing (609-2RU)	683-831	
7	Armature	110V	685-802
		220V	687-801
8	Ball bearing (6000-2RUP)	681-826	
9	Motor housing, plastic	685-810	
10	Rod connector	685-806	
11	Gasket	685-804	
12	Lower housing	681-800	
13	Gasket, switch housing	681-867	
14	Switch housing	680-801	
15	Switch cover with pull rod	680-802	
16	Screw (5 required)	682-820	
17	Variable speed controller includes	110V	680-804
		220V	680-805
18	Overload switch	110/ 220V	687-804
19	Power wire relief & plug	(USA plug)	683-860
		(Euro plug)	683-860-EU
		(UK plug)	683-860-UK
20	Motor coupling	683-833	